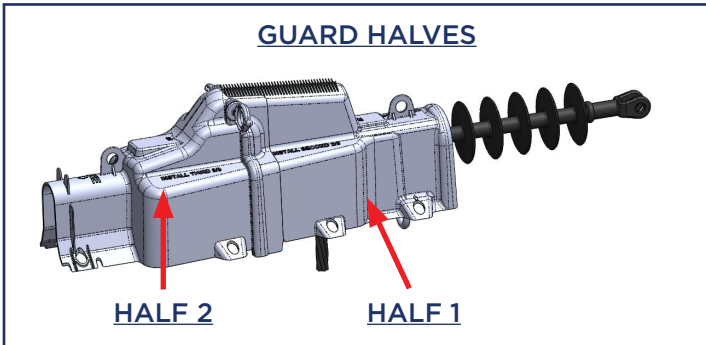


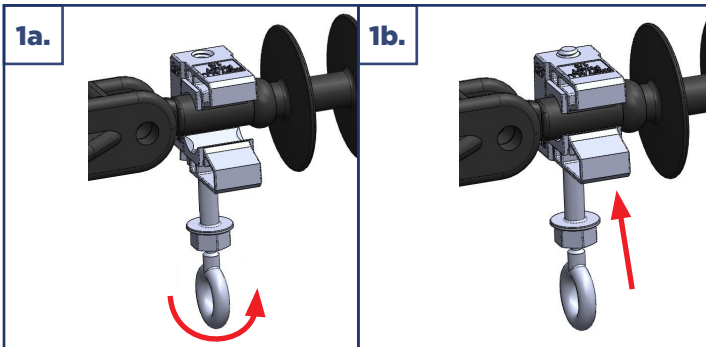
DEADEND GUARD INSTALLATION GUIDE



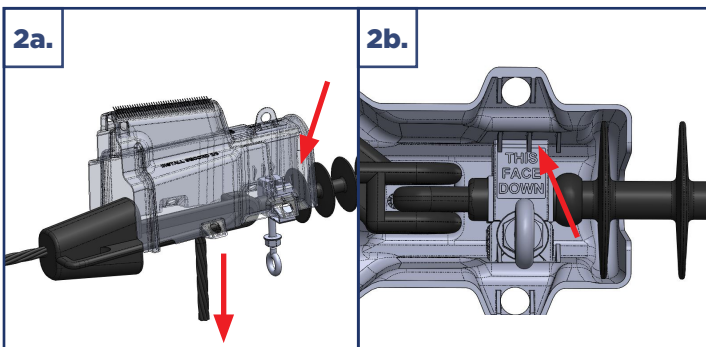
Scan here to view these instructions on your device.



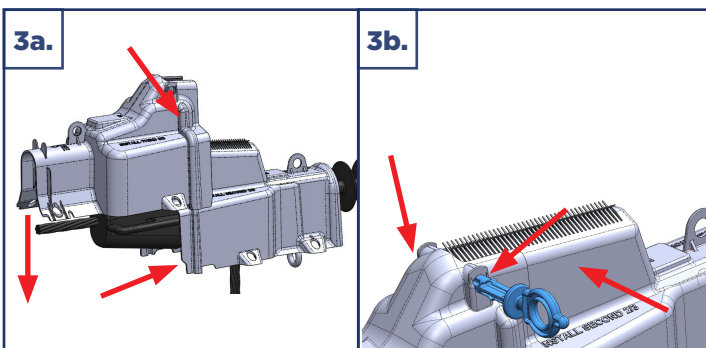
- 1a: With a hotstick / shotgun-stick, install Deadend Guard Clamp by grabbing it by the hotstick loop. Align top of clamp over insulator neck, next to the deadend itself.
- 1b: Rotate the hotstick loop until lower portion of clamp slides up and clamps itself around the insulator neck. Tighten until eyelet shears off bolt, which is intentionally designed to set sufficient clamping pressure.



- 2a: With a hot stick, grab Half 1 of the Deadend Guard by the hotstick-loop holes. Route 'jumper' conductor out the top fingers or bottom of the Guard, and pull the Guard down over the first insulator shed.
- 2b: The Guard will cover the Guard Clamp, locking into place with 4 tabs when fully installed.

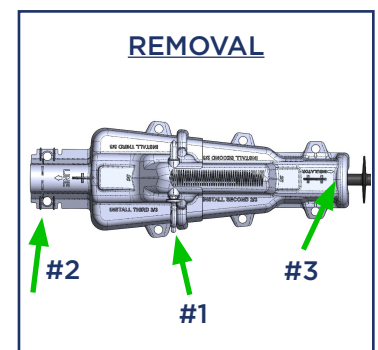


- 3a: Grab Half 2 of the Deadend Guard with the hot/shotgun stick. Pull it over the top of Half 1, aligning the male and female rib portions of the halves. Pull down until bases are flush.
- 3b: Insert retention pin into Half 2, Push it through connecting Half 1&2 until the pin sits flush against side of Guard face. Installation is complete.



REMOVAL INSTRUCTIONS

Remove pin. Pull outwards and upwards (away from equipment) on Half 2 at "#1" green arrow indicated loop to release side wedges, repeat on both sides to separate Guard halves. Then remove conductor side of Half 2 with "#2" indicated loop. Pull Half 2 off completely. Next, pull upwards on Half 1 at "#3" green arrow indicated loop to release Half 1 from Guard Clamp. Lastly, unscrew and remove Guard Clamp by using a 15/16" wrench or socket.



DEADEND GUARD INSTALLATION GUIDE

DISCLAIMER

These products should only be installed, used, or serviced by adequately trained personnel. These instructions are not a substitute for adequate training in the safe use of these products, and they do not address all situations that may be encountered when using these products. When using any product, always read and follow the installation and operating instructions and warnings for the product, all applicable federal, state, and local safety regulations, industry standards, and your employer's internal safety guidelines and operating instructions. Failure to follow applicable safety rules and instructions may result in serious injury, death, and property damage.

The user is responsible for the safe installation and use of any product and must evaluate the conditions at the time of use and consult with their employer's internal safety guidelines or safety experts hired by your employer, as needed. Hubbell Power Systems, Inc. is not liable for death, serious injury, or property damage resulting from the use of these products in any manner that is inconsistent with the product installation and operating instructions, your employer's internal safety guidelines, or recommendations from safety experts hired by your company.

If further information is desired or if particular problems are encountered which are not sufficiently covered in these instructions, contact Hubbell Power Systems, Inc. for additional information. Operating and installation instructions are available on the Hubbell Power Systems, Inc. website: <https://www.hubbell.com/hubbellpowersystems/en/resource-search?text=&fileType=Installation+Manuals&categoryX=&category=>

